

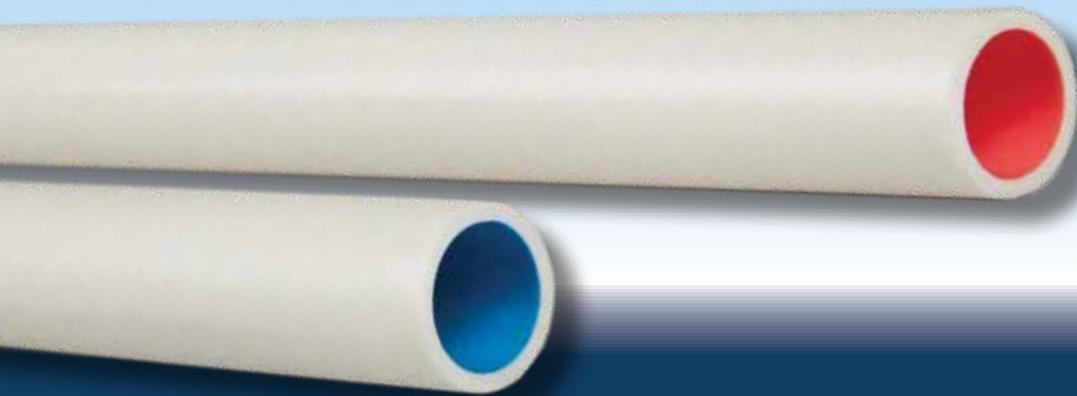


PLUMBING AND HEATING INSTALLATION

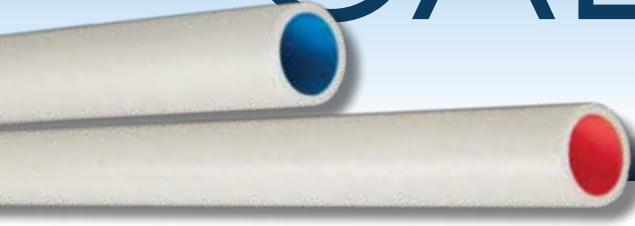


# CALINÉO

The most **PE-RT** inent piping on the market



# CALINÉO



**A high-performance product** with a CSTB technical notice for 3 application classes: 2, 4 and 5 for **high-performance radiators**

## Flexible and aesthetic

- Potable water and heating installations made a breeze.
- **Calineo** makes setting up your own heated flooring as easy as 1, 2, 3.
- Seamlessly blends into your living spaces with exposed installations.



## PE-RT: next generation materials

- **Calineo's** temperature resistance is achieved through a special process involving the targeted formation of lateral chains in the molecular structure of the material at polymerisation to produce a similar effect to reticular polyethylene, but without any chemical additives.
- Which gives the material **resistance from temperatures up to 90°C**.

**100%  
RECYCLABLE:  
PRODUCT**



**MADE IN  
FRANCE**



**EFFICIENCY AND PERFORMANCE  
FOR YOUR PEACE OF MIND**



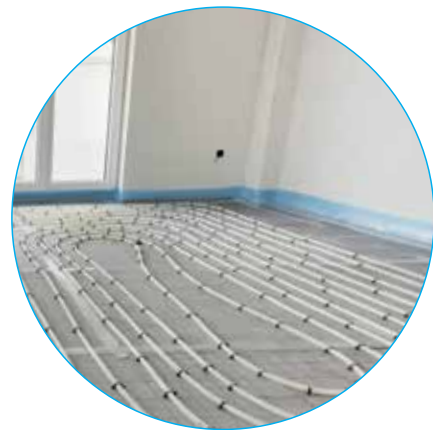
## Pipe certification

**CSTB Certification**  
TECHNICAL NOTICE NO. 14.1/20-2296\_V3

**CLASS 2:**  
POTABLE WATER DISTRIBUTION

**CLASS 4:**  
UNDERFLOOR HEATING

**CLASS 5:**  
HIGH-TEMPERATURE RADIATOR PIPING



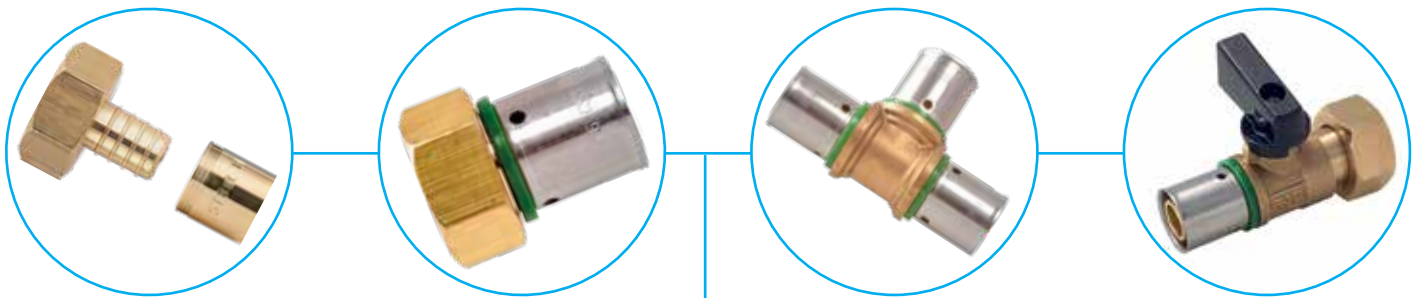
## Application classes

Class	Service regime	Maximum regime	Degraded regime	Typical application
2 Plumbing distribution	70 °C 49 years	80 °C 1 year	95 °C 100 hrs	Hot water supply
4 Underfloor heating	20 °C 2.5 years + 40 °C 20 years + 60 °C 25 years	70 °C 2.5 years	100 °C 100 hrs	Flooring heating and low temperature radiators
5 High temperature radiator piping	20 °C 14 years + 60 °C 25 years + 80 °C 10 years	90 °C 1 year	100 °C 100 hrs	High temperature radiators

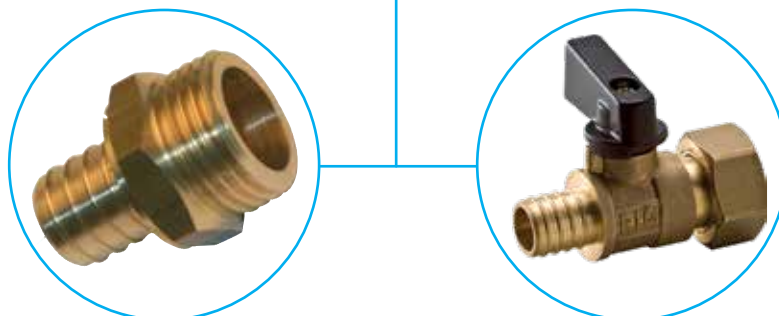
# CALINÉO

A product designed to  
make your **worksites**  
run more smoothly

**This pipe is compatible with QB08 and NF 545  
certified fittings** (from DN 10x12 to DN 51x63)



## CALINÉO



**NO MORE HUNTING FOR THE RIGHT FITTING!**

**PRACTICAL, QUICK AND EASY,  
SAVES ON INSTALLATION TIME**

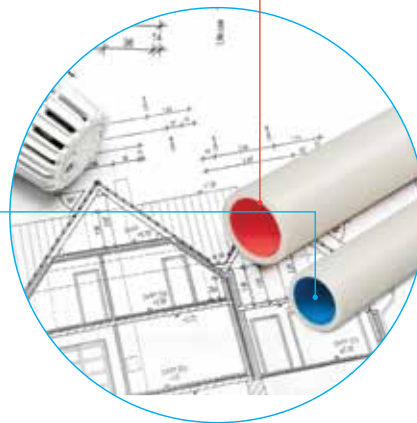


## Easy pipe identification

- During set-up, the inside of the tube can be used to identify it. Once fitted, the pipe's exterior, red or blue, can be used to identify it, if necessary.

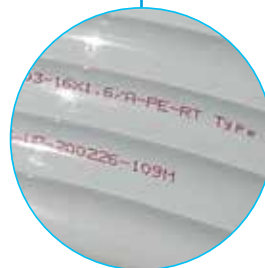
**Red markings**  
for pipes with a  
red interior

**Blue markings**  
markings for  
pipes with a  
blue interior



## Metric length markings

- No measuring required, ideal for underfloor heating
- Remaining pipe length always visible



Ideal cardboard pallet packaging  
to ensure safe transport



# elydan

We manufacture **high-quality** products, high-performance, lasting solutions with an eco-friendly life cycle

## Manufacturing

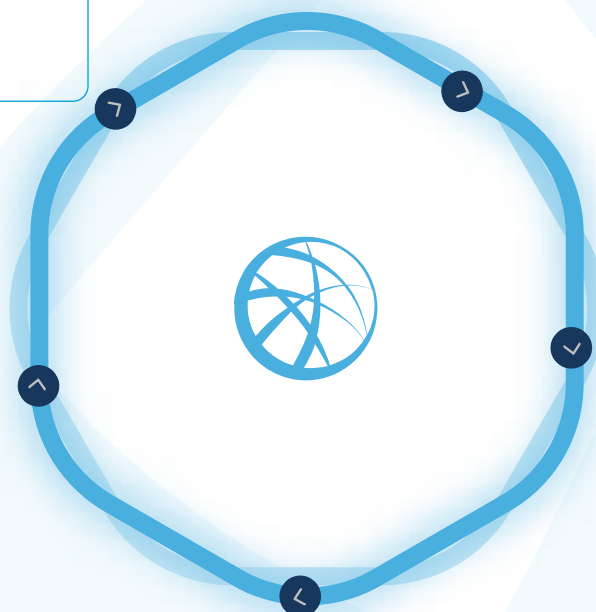
- Eco-friendly factories
- Water used for cooling circulates in a closed circuit (no industrial water discharge)
- An energy recovery device allows offices to be heated or cooled with a reduced energy bill

## Design

- The PE that Calineo uses requires less energy than other traditional materials

## End of life

- 100% recyclable and shreddable



## Transportation

- Optimized circuits

## Applications

- Easier implementation when compared to other traditional techniques.
- Help create low-temperature heating networks

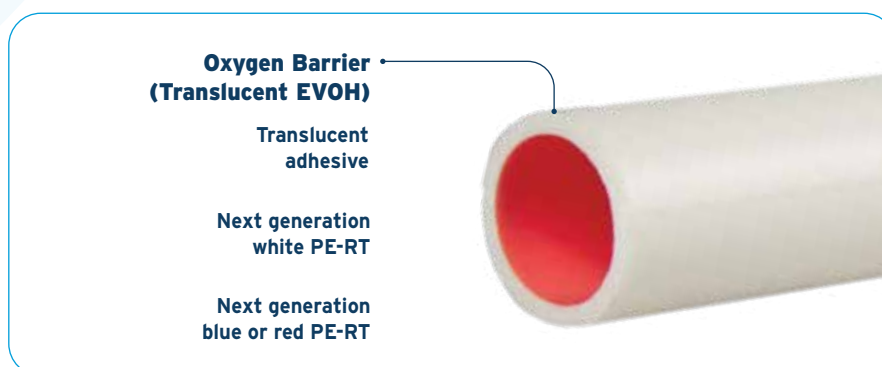
## CALINEO BARE AND PRE-SHEATHED

● Blue ● Red

Diameter	COIL	EAN code	Reference	Description	Packaging/pallets
φ 12 / ●	100 M	3447640288875	28887	CALINEO 12 B/B 100M C30	30 COILS / CARDBOARD PALLET
	100 M	3447640289131	28913	CALINEO PRE-SHEATHED 12 BLC/B G22 100M P20	20 COILS / PALLET
	200 M	3447640288882	28888	CALINEO 12 B/B 200M C15	15 COILS / CARDBOARD PALLET
φ 12 / ●	100 M	3447640288943	28894	CALINEO 12 B/R 100M C30	30 COILS / CARDBOARD PALLET
	100 M	3447640289148	28914	CALINEO PRE-SHEATHED 12 BLC/R G22 100M P20	20 COILS / PALLET
	200 M	3447640288950	28895	CALINEO 12 B/R 200M C15	15 COILS / CARDBOARD PALLET
φ 16 / ●	100 M	3447640288899	28889	CALINEO 16 B/B 100M C17	17 COILS / CARDBOARD PALLET
	100 M	3447640289155	28915	CALINEO PRE-SHEATHED 16 BLC/B G26 100M P16	16 COILS / PALLET
	200 M	3447640288905	28890	CALINEO 16 B/B 200M C9	9 COILS / CARDBOARD PALLET
φ 16 / ●	100 M	3447640288967	28896	CALINEO 16 B/R 100M C17	17 COILS / CARDBOARD PALLET
	100 M	3447640289162	28916	CALINEO PRE-SHEATHED 16 BLC/R G26 100M P16	16 COILS / PALLET
	120 M	3447640288974	28897	CALINEO 16 B/R 120M C16	16 COILS / CARDBOARD PALLET
	200 M	3447640288981	28898	CALINEO 16 B/R 200M C9	9 COILS / CARDBOARD PALLET
	240 M	3447640288998	28899	CALINEO 16 B/R 240M C8	8 COILS / CARDBOARD PALLET
	800 M	3447640289001	28900	CALINEO 16 B/R 800M P5	5 COILS / PALLET
φ 20 / ●	50 M	3447640289179	28917	CALINEO PRE-SHEATHED 20 BLC/B G32 50M P16	16 COILS / PALLET
	100 M	3447640288912	28891	CALINEO 20 B/B 100M C11	11 COILS / CARDBOARD PALLET
φ 20 / ●	50 M	3447640289186	28918	CALINEO PRE-SHEATHED 20 BLC/R G32 50M P16	16 COILS / PALLET
	100 M	3447640289018	28901	CALINEO 20 B/R 100M C11	11 COILS / CARDBOARD PALLET
	120 M	3447640289025	28902	CALINEO 20 B/R 120M C9	9 COILS / CARDBOARD PALLET
	240 M	3447640289032	28903	CALINEO 20 B/R 240M C5	5 COILS / CARDBOARD PALLET
	800 M	3447640289049	28904	CALINEO 20 B/R 800M P4	4 COILS / PALLET
φ 25 / ●	50 M	3447640288929	28892	CALINEO 25 B/B 50M C13	13 COILS / CARDBOARD PALLET
	50 M	3447640289193	28919	CALINEO PRE-SHEATHED 25 BLC/B G40 50M P8	12 COILS / PALLET
φ 25 / ●	50 M	3447640289056	28905	CALINEO 25 B/R 50M C13	13 COILS / CARDBOARD PALLET
	50 M	3447640289209	28920	CALINEO PRE-SHEATHED 25 BLC/R G40 50M P8	12 COILS / PALLET
φ 32 / ●	50 M	3447640288936	28893	CALINEO 32 B/B 50M C	NC
φ 32 / ●	50 M	3447640289506	28950	CALINEO 32 B/R 50M C	NC
	100 M	3447640289490	28949	CALINEO 32 B/R 100M C	NC
φ 40 / ●	50 M	3447640289520	28952	CALINEO 40 B/R 50M V1	1 COIL
	100 M	3447640289513	28951	CALINEO 40 B/R 100M V1	1 COIL
φ 50 / ●	50 M	3447640289544	28954	CALINEO 50 B/R 50M V1	1 COIL
	100 M	3447640289537	28953	CALINEO 50 B/R 100M V1	1 COIL
φ 63 / ●	50 M	3447640289568	28956	CALINEO 63 B/R 50M V1	1 COIL
	100 M	3447640289551	28955	CALINEO 63 B/R 100M V1	1 COIL

## CALINEO OB

Diameter	COIL	EAN code	Reference	Description	Packaging/pallets
φ 16 ●	100 M	3447640289070	28907	CALINEO OB 16 B/R 100M C17	17 COILS / CARDBOARD PALLET
φ 16 ●	240 M	3447640289087	28908	CALINEO OB 16 B/R 240M C8	8 COILS / CARDBOARD PALLET
φ 16 ●	800 M	3447640289094	28909	CALINEO OB 16 B/R 800M P5	5 COILS / PALLET
φ 20 ●	100 M	3447640289100	28910	CALINEO OB 20 B/R 100M C11	11 COILS / CARDBOARD PALLET
φ 20 ●	240 M	3447640289117	28911	CALINEO OB 20 B/R 240M C5	5 COILS / CARDBOARD PALLET
φ 20 ●	800 M	3447640289124	28912	CALINEO OB 20 B/R 800M P4	4 COILS / PALLET



# The Calineo pre-sheathed line

Pre-sheathed PE-RT pipe system for water distribution heating and plumbing (hot and cold water).

## ADVANTAGES

- ✓ Save on installation time
- ✓ Mechanical PE-RT pipe protection
- ✓ Easy to renovate



## CALINEO Blue/Red Pre-Sheathed

- Composed of a CALINEO PE-RT inner tube and an outer sheath (450N).
- **Diameters:** - CALINEO PE-RT pipe: 10x12 to 20x25  
- 450N outer sheath: 22 to 40 mm
- **Standards:** CSTB technical notice No. 14.1/20-2296\_V3
- **Packaging:** 50 and 100m coils

## CALINEO DUO pre-sheathed

- Composed of two black 450N outer sheaths easily divided during installation and from the PE-RT CALINEO inner tube.
- **Diameters:** - PE-RT CALINEO pipe: 10x12 and 13x16 mm  
- exterior sheath: 22 and 26 mm
- **Standards:** CSTB technical notice No. 14.1/20-2296\_V3
- **Packaging:** 50m coils



Diameter	COIL	EAN code	Reference	Description	Packaging/pallets
∅ 12	50 M	3447640289216	28921	CALINEO PRE-SHEATHED 12 DUO G22 50M C8	8 COILS / PALLET
∅ 16	50 M	3447640289223	28922	CALINEO PRE-GAINE 16 DUO G26 50M C7	7 COILS / PALLET



# Complementary line: water pipe protection sheaths

PE-RT CALINEO line reserve sleeves, not fire resistant, no bundling and designed for embedded use in slabs, concrete, screed and floors.

- **STANDARD NF EN 61386-22**

## 2322 translucent conduit

- **Diameters:** 20 to 32 mm
- **Packaging:** 50 and 100m coils

Sheathe sold without inner tube.



Diameter	COIL	EAN code	Reference	Description	Packaging/pallets
∅ 20	100 M	3447640058096	5809	TRANSLU SHEATH 20 TRA 100M P44	44 COILS / PALLET
∅ 25	100 M	3447640058102	5810	TRANSLU SHEATH 25 TRA 100M P40	40 COILS / PALLET
∅ 32	50 M	3447640058119	5811	TRANSLU SHEATH 32 TRA 50M P36	36 COILS / PALLET

## 750N black sheath

- **Diameters:** 40 to 50 mm
- **Packaging:** 50m coils

### ADVANTAGES

- ✓ **Highly resistant to denting: (750N)**
- ✓ **UV resistant: (easier outdoor storage)**
- ✓ **Smooth sliding for easier pipe laying**
- ✓ **Highly flexible: low bend radius**



Diameter	COIL	EAN code	Reference	Description	Packaging/pallets
∅ 40	50 M	3447640242112	24211	SHEATH 750N 40 N01 50M P30	30 COILS / PALLET
∅ 50	50 M	3447640242129	24212	SHEATH 750N 50 N01 50M P18	18 COILS / PALLET



# elydan

The multilayer system,  
for both renovation and  
new construction

## izeo



## Easy

- Save time on the worksite
- Quick, secure crimping
- Manually bent tubes



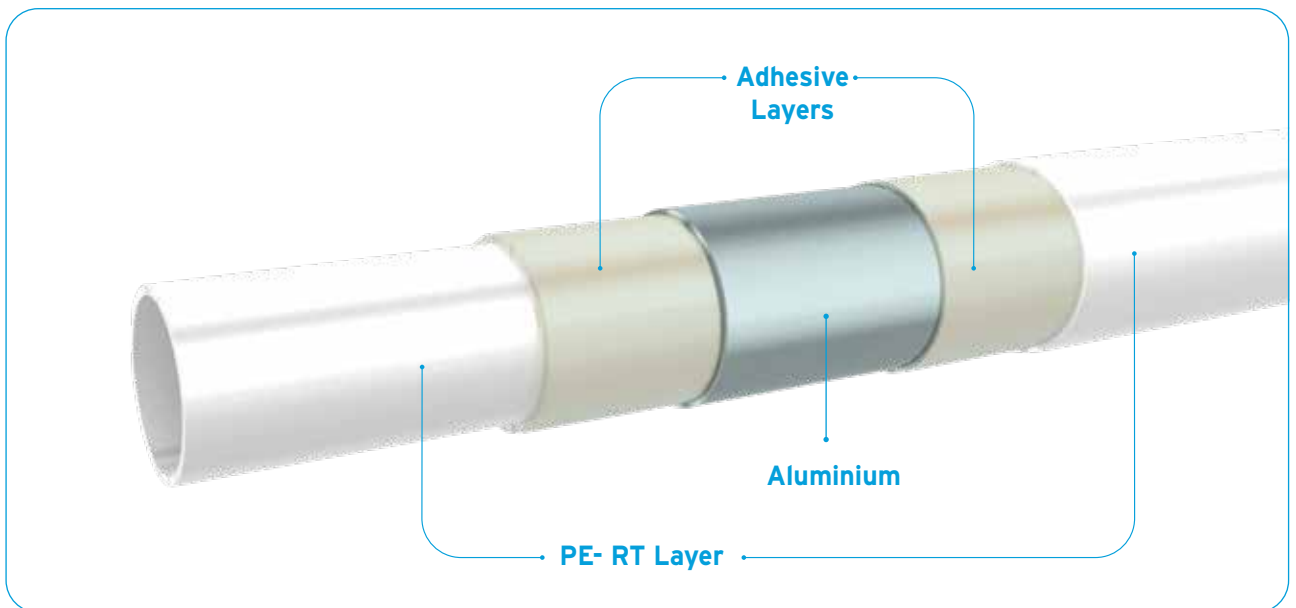
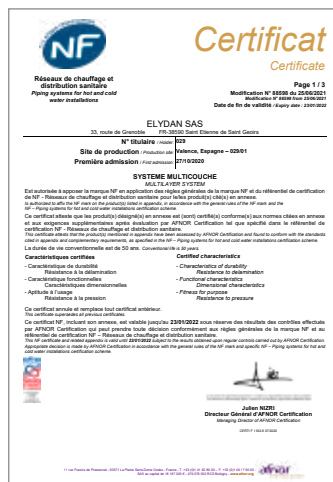
## Aesthetics

- White piping
- Long linear lengths
- Stable form

# MAKE YOUR WORKSITES RUN MORE SMOOTHLY WITH THE IZÉ'O MULTILAYER SYSTEM

## Durable

- Resistant to high temperatures
- Corrosion resistant
- NF 545 certification for pipe and fitting system





127 avenue Louis Blériot  
Grenoble Air Parc  
38590 Saint-Étienne-de-Saint-Geoirs  
+33(0)4 76 93 43 43

[elydan.eu](http://elydan.eu)

